



0909

The 0909 has many different lumen output and operating ranges available and with a colour temperature of 5,700 K. Also available as an E-approved rated model for trucks and trailers.



TECHNICAL DATA

- Housing Material:** Cast Aluminium
- Mounting Options:** Hanging
Standing
- Lens Material:** PC
- Temperature range:** -40 to +85 °C
- Connector:** Deutsch (DT04-2P) built in.
Mating part: DT06-2S
- Weight:** 616 g / 1.36 lb
- Light Patterns:** Narrow Symmetric
Medium Symmetric
Wide Symmetric
Medium Asymmetric

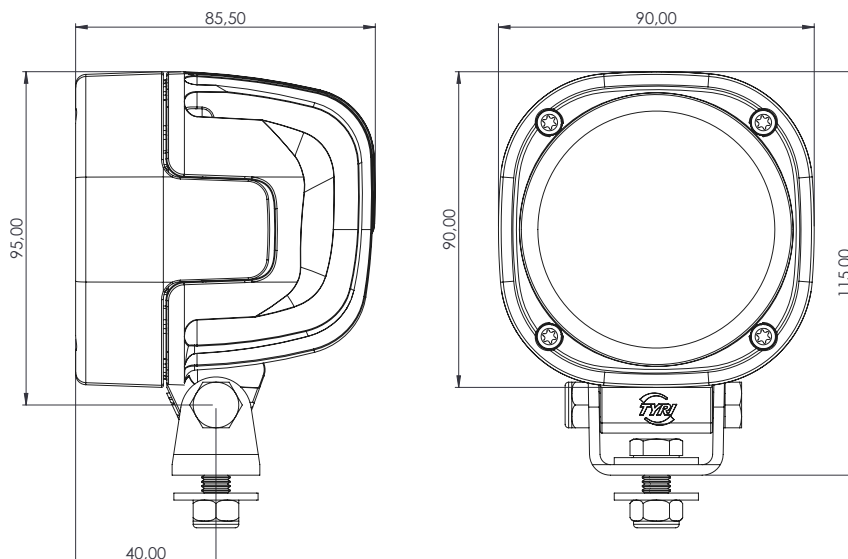
FEATURES

- Overheating Protection
- Over-voltage Protection
- Polarity Protection
- CE - marked

TEST STANDARDS

- Salt Spray ASTM B117 500 h
- Vibration 5-2000 Hz 3 Axis, 8 Grms
- Shock Tested 50 G 10 ms
- IP69K
- EN55025 / CISPR 25 Class 2,3& 5, ISO7637-2, ISO10605, ISO16750-2, ISO11452-2, ISO11452-4, EN55015, EN61000-4-2, EN61000-4-4, EN61000-6-2, EN61000-6-3
- R10 & R23

For further information visit www.tyrilights.com or contact your local sales team.





0909

LIGHT OUTPUT	VOLTAGE		AMP DRAW		POWER	COLOUR TEMPERATURE	EMC	ECE
	Machine	Operating	12 V	24 V				
700 eLm	12 V	9-16 V	0.9 A	-	13 W	5.700 K	5	-
700 eLm	24 V	18-32 V	-	0.5 A	14 W	5.700 K	5	-
1,100 eLm	12 V	9-16 V	1.0 A	-	14 W	5.700 K	5	-
1,100 eLm	24 V	18-32 V	-	0.5 A	14 W	5.700 K	5	-
1,400 eLm	12 V	9-16 V	1.3 A	-	18 W	5.700 K	5	R10 & R23
1,400 eLm	24 V	18-32 V	-	0.7 A	20 W	5.700 K	5	R10 & R23
1,400 eLm	12-48 V	9-60 V	1.2 A	0.6 A	17 W	5.700 K	2	-
1,400 eLm	12-80 V	9-108 V	1.3 A	0.6 A	17 W	5.700 K	3	-
1,800 eLm	12 V	9-16 V	1.8 A	-	25 W	5.700 K	5	R10
1,800 eLm	24 V	18-32 V	-	0.9 A	25 W	5.700 K	5	R10
2,000 eLm	12 V	9-16 V	2.1 A	-	29 W	5.700 K	5	-
2,000 eLm	24 V	18-32 V	-	1.1 A	31 W	5.700 K	5	-
2,500 eLm	12 V	9-16 V	2.4 A	-	34 W	5.700 K	5	-
2,500 eLm	24 V	18-32 V	-	1.4 A	39 W	5.700 K	5	-
2,800 eLm	12 V	9-16 V	2.8 A	-	39 W	5.700 K	5	-
2,800 eLm	24 V	18-32 V	-	1.4 A	39 W	5.700 K	5	-

LED work lights are exposed to dirt, fertilizers, road salt, acids and more. For best performance and long lifetime, the lens and the cooling fins must be cleaned on a regular basis.